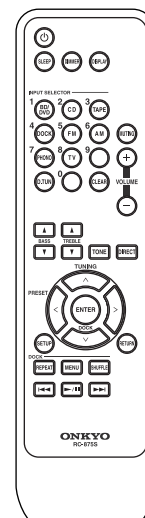
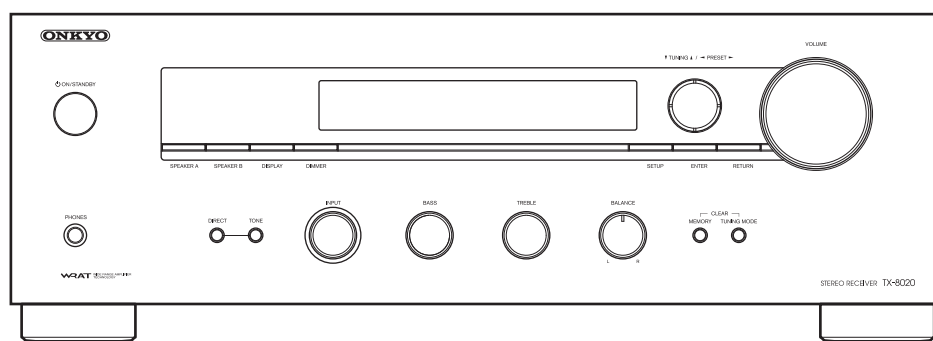


ONKYO® SERVICE MANUAL

STEREO RECEIVER MODEL TX-8020(B)/(S)




RC-875S

Black and Silver models

B MDC	120V AC, 60Hz
B MPP, S MPP	230V AC, 50Hz

SAFETY-RELATED COMPONENT WARNING!!

COMPONENTS IDENTIFIED BY MARK  ON THE SCHEMATIC DIAGRAM AND IN THE PARTS LIST ARE CRITICAL FOR RISK OF FIRE AND ELECTRIC SHOCK. REPLACE THESE COMPONENTS WITH ONKYO PARTS WHOSE PART NUMBERS APPEAR AS SHOWN IN THIS MANUAL.

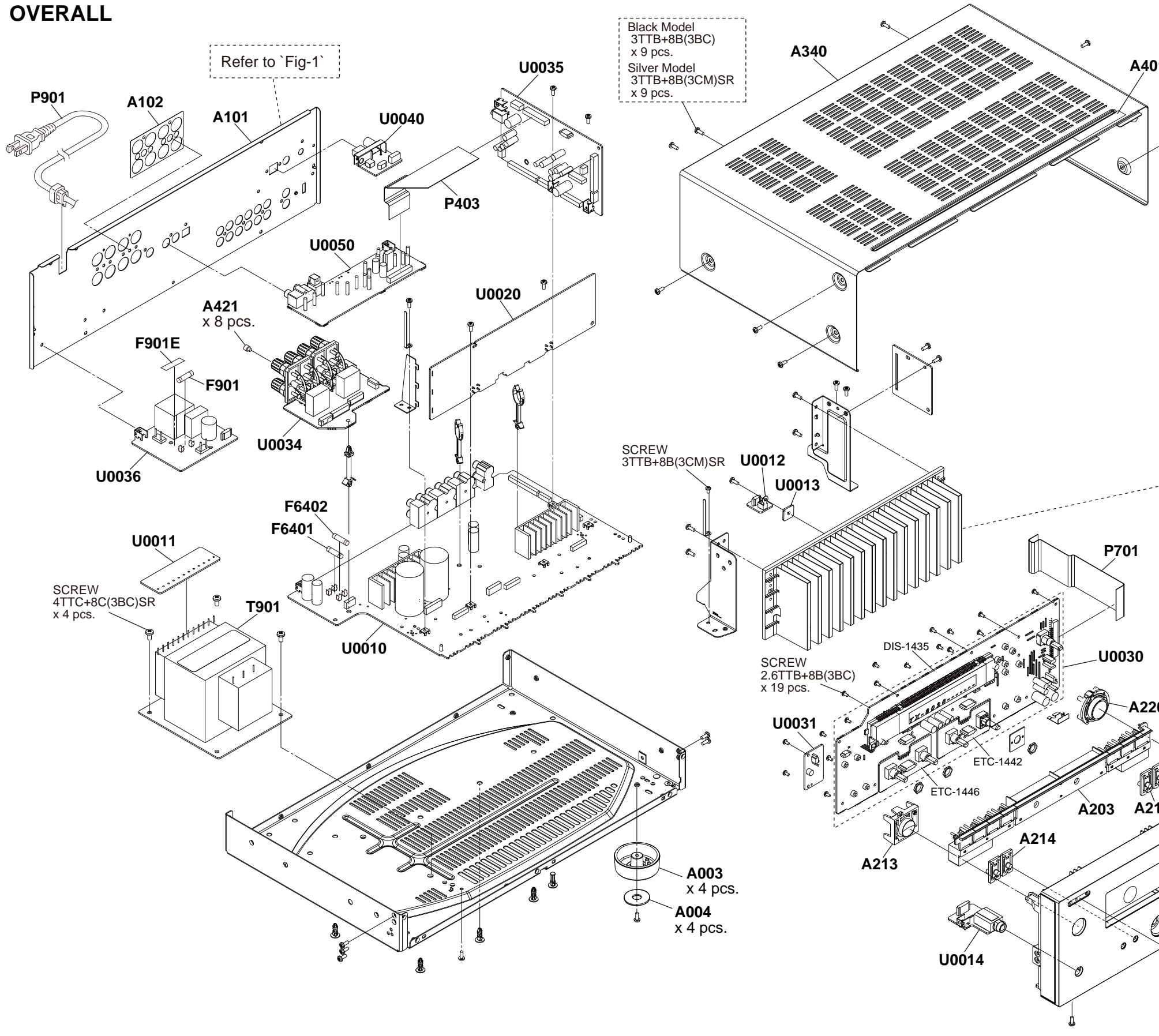
MAKE LEAKAGE-CURRENT OR RESISTANCE MEASUREMENTS TO DETERMINE THAT EXPOSED PARTS ARE ACCEPTABLY INSULATED FROM THE SUPPLY CIRCUIT BEFORE RETURNING THE APPLIANCE TO THE CUSTOMER.

Features

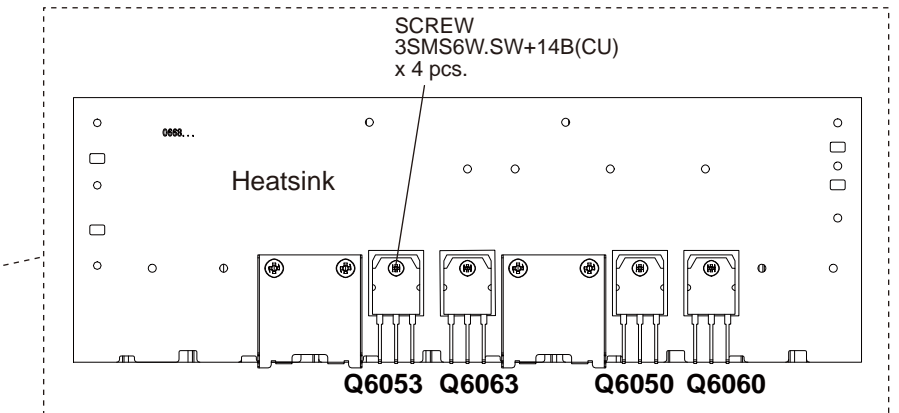
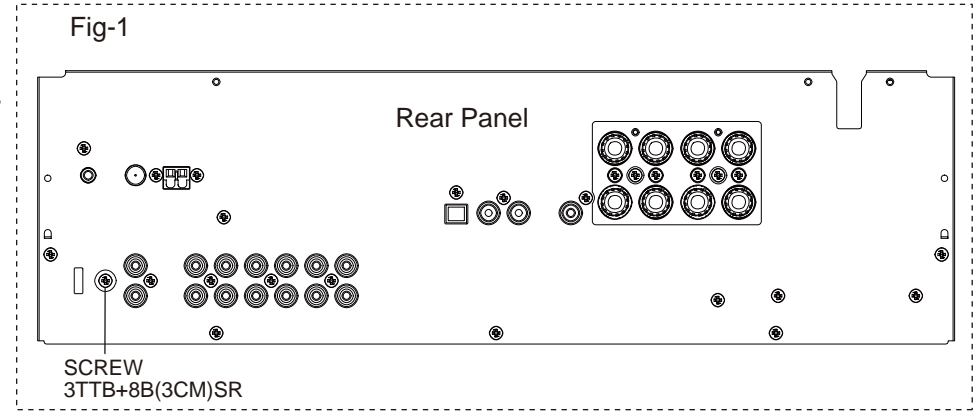
- 50 Watts/Channel @ 8 Ω (FTC) (For North American Model)
- 90 Watts/Channel @ 6 Ω (IEC) (For European Model)
- WRAT (Wide Range Amplifier Technology)
- Discrete Amplifier Output Stage Circuitry
- Massive EI Transformer
- High-Current, Low-Impedance Drive
- Direct Mode
- 5 Analog Audio Inputs and 1 Output
- 3 Digital Audio Inputs (1 Optical, 2 Coaxial) (European Model only)
- Phono Input for Turntable Connection
- Independent Bass, Treble, and Balance Controls
- Subwoofer Pre-Out
- Speaker A/B Terminals
- Remote Interactive (RI) Input for Integrated Control of Compatible Onkyo Components
- Headphone Jack
- 40 FM/AM Random Presets
- Preset Station Naming (Up to 8 Characters)
- RDS (PS/PTY/RT) (European Model only)
- 3-Mode Display Dimmer (Normal/Dim/Dimmer)
- Sleep Timer (via Remote)
- Battery-Free Memory Back-up
- Full-Sized, Full-Function RI Remote Control

Onkyo Corporation
Service Department

EXPLODED VIEWS-1 OVERALL



<NOTE>
Please use the 3TTB+8B(BC) is screwed to the place that is not specified.



<NONE>
U0030 = DISPLAY BOARD AS(BADIS-1435)
+ INPUT/BASS BOARD AS(BAETC-1446)
+ TREBLE BALANCE BOARD AS(BAETC-1442)
BADIS-1435, BAETC-1442 and BAETC-1446 are connected by a jumper lead.

EXPLODED VIEWS-2

EXPLODED VIEW PARTS LIST

(B)MDC : 120V, Canadian/USA/(Mexico) model, Black

REF. NO.	PART NAME	DESCRIPTION	Q'TY	PART NO. (SN)	REMARKS
[SEMI CONDUCTOR]					
Q6050	TR	2SC5198-O	1	2203063	
Q6050 or	TR	2SC5198-R	(1)	2203062	
Q6053	TR	2SC5198-O	1	2203063	
Q6053 or	TR	2SC5198-R	(1)	2203062	
Q6060	TR	2SA1941-O	1	2203053	
Q6060 or	TR	2SA1941-R	(1)	2203052	
Q6063	TR	2SA1941-O	1	2203053	
Q6063 or	TR	2SA1941-R	(1)	2203052	
[CHASSIS SCREW]					
A003	BOTTOM LEG	phi48(313)	4	27175472	
A004	CUSHION	(ZUL) phi20 x phi8	4	28141900	
A101	REAR PANEL	MDC	1	27124533B	N
A102	LABEL	(SP)2ch	1	29392373	N
[CABINET]					
A201	F PANEL	TX-8020(B)MDC	1	27213682	N
A202	CLEAR PLT	TX-8020(B)	1	28192418	N
A203	KNOB	(INP)B	1	28327158	N
A204	BADGE		1	28135317	
A211	KNOB	(TONE)(B)(8030)	1	28326952	
A212	KNOB	(INPUT)(B)(8030)	3	28326954	
A213	KNOB	(STBY)(B)	1	28326904	
A214	KNOB	(ZONE)(B)2pcs	2	28326945	
A220	KNOB	(CUR)	1	28326907B	
A321	KNOB	(VOL)AS(B)	1	28326914	
A340	COVER	(B) (Bent)	1	28210089A	
A340	COVER	(B) (Not Bent)	1	28210089AZ	
A401	LABEL	(COVER)	1	29390767	
A402	LABEL	HOOKUP-ONKYO	1	29363194	
[TRANS COIL]					
T901	P TRANS	NPT-1618D	1	2302045	!
[SW TRM]					
F6401	FUSE	10A-UL/T-233	1	252330GR	!
F6401 or	FUSE	10A-T/UL-ST2	(1)	252333GR	!
F6402	FUSE	10A-UL/T-233	1	252330GR	!
F6402 or	FUSE	10A-T/UL-ST2	(1)	252333GR	!
F901	FUSE	4A-UL/T-233	1	252325GR	!
F901 or	FUSE	4A-T/UL-ST2	(1)	252257GR	!
P701	FFC	NCFC7-332012	1	2047332012	
P901	AC CORD	AS-UC-2	1	253368AYUN	!
P901 or	AC CORD	AS-UC-2	(1)	253368BLTK	!
[TUNER UNIT]					
U0010	AMP(ASP) PC BOARD AS	BAAF-1472-1A	1	1B2935472-1A	
U0011	TERMINAL(TRANS) PC BOARD AS	BAETC-1475-1A	1	1B2935475-1A	
U0012	THERMAL SENSOR PC BOARD AS	BAETC-1477-1A	1	1B2935477-1A	
U0013	FIX(SENSOR) PC BOARD AS	BAETC-1478-1A	1	1B2935478-1A	
U0014	PHONE JACK PC BOARD AS	BAETC-1440-1A	1	1B2935440-1A	
U0020	AMP(CLASS A) PC BOARD AS	BACLA-1318-2A	1	1B2935318-2A	
U0030	DISPLAY PC BOARD AS	BADIS-1435-1A	1	1B2935435-1A	
<NOTE>U0030 = DISPLAY BOARD AS(BADIS-1435) + INPUT/BASS BOARD AS(BAETC-1446) + TREBLE BALANCE BOARD AS(BAETC-1442) BADIS-1435, BAETC-1442 and BAETC-1446 are connected by a jumper lead.					
U0031	SWITCH(STANDBY) PC BOARD AS	BADIS-1436-1A	1	1B2935436-1A	
U0034	TERMINAL(SPEAKER) PC BOARD AS	BATRM-1473-1A	1	1B2935473-1A	
U0035	MPU PC BOARD AS	BADG-1474-1A	1	1B2935474-1A	
U0036	POWER SUPPLY PC BOARD AS	BAPS-1476-1A	1	1B2935476-1A	
U0040	TUNER PC BOARD AS	BARF-1450-1A	1	1B2935450-1A	

<Note>

Parts marked by "NSP" are generally unavailable because they are not in our Master Spare Parts List.

NOTE : THE COMPONENTS IDENTIFIED BY THE MARK
! ARE CRITICAL FOR RISK OF FIRE AND
ELECTRIC SHOCK. REPLACE ONLY WITH PART
NUMBER SPECIFIED.

(B)MPP : 230V, CE(European) country model, Black

REF. NO.	PART NAME	DESCRIPTION	Q'TY	PART NO. (SN)	REMARKS
[SEMI CONDUCTOR]					
Q6050	TR	2SC5198-O	1	2203063	
Q6050 or	TR	2SC5198-R	(1)	2203062	
Q6053	TR	2SC5198-O	1	2203063	
Q6053 or	TR	2SC5198-R	(1)	2203062	
Q6060	TR	2SA1941-O	1	2203053	
Q6060 or	TR	2SA1941-R	(1)	2203052	
Q6063	TR	2SA1941-O	1	2203053	
Q6063 or	TR	2SA1941-R	(1)	2203052	
[CHASSIS SCREW]					
A003	BOTTOM LEG	phi48(313)	4	27175472	
A004	CUSHION	(ZUL) phi20 x phi8	4	28141900	
A101	REAR PANEL	MPP	1	27124534B	N
A102	LABEL	(SP)2ch	1	29392373	N
[CABINET]					
A201	F PANEL	TX-8020(B)MDC	1	27213682	N
A202	CLEAR PLT	TX-8020(B)	1	28192418	N
A203	KNOB	(INP)B	1	28327158	N
A204	BADGE		1	28135317	
A211	KNOB	(TONE)(B)(8030)	1	28326952	
A212	KNOB	(INPUT)(B)(8030)	3	28326954	
A213	KNOB	(STBY)(B)	1	28326904	
A214	KNOB	(ZONE)(B)2pcs	2	28326945	
A220	KNOB	(CUR)	1	28326907B	
A321	KNOB	(VOL)AS(B)	1	28326914	
A340	COVER	(B) (Bent)	1	28210089A	
A401	LABEL	(COVER)	1	29390767	
A421	P RIVET	JB-407A-C	8	880052	
[TRANS COIL]					
T901	P TRANS	NPT-1618P	1	2302046	!
[SW TRM]					
F6401	FUSE	10A-UL/T-233	1	252330GR	!
F6401 or	FUSE	10A-T/UL-ST2	(1)	252333GR	!
F6402	FUSE	10A-UL/T-233	1	252330GR	!
F6402 or	FUSE	10A-T/UL-ST2	(1)	252333GR	!
F901	FUSE	2A-SE-EAK FUSE	1	252074GR	!
F901 or	FUSE	2A-SE-TL250V	(1)	252274GR	!
F901E	FUSE LABEL	T2AL250V	1	29363126	!
P403	FFC	NCFC7-231212	1	2047231212	
P701	FFC	NCFC7-332012	1	2047332012	
P901	AC CORD	AS-CEE-2	1	253306VOL	!
P901 or	AC CORD	AS-CEE-2	(1)	253374YUN	!
[TUNER UNIT]					
U0010	AMP(ASP) PC BOARD AS	BAAF-1472-1B	1	1B2935472-1B	
U0011	TERMINAL(TRANS) PC BOARD AS	BAETC-1475-1B	1	1B2935475-1B	
U0012	THERMAL SENSOR PC BOARD AS	BAETC-1477-1B	1	1B2935477-1B	
U0013	FIX(SENSOR) PC BOARD AS	BAETC-1478-1B	1	1B2935478-1B	
U0014	PHONE JACK PC BOARD AS	BAETC-1440-1B	1	1B2935440-1B	
U0020	AMP(CLASS A) PC BOARD AS	BACLA-1318-2B	1	1B2935318-2B	
U0030	DISPLAY PC BOARD AS	BADIS-1435-1B	1	1B2935435-1B	
<NOTE>U0030 = DISPLAY BOARD AS(BADIS-1435) + INPUT/BASS BOARD AS(BAETC-1446) + TREBLE BALANCE BOARD AS(BAETC-1442) BADIS-1435, BAETC-1442 and BAETC-1446 are connected by a jumper lead.					
U0031	SWITCH(STANDBY) PC BOARD AS	BADIS-1436-1B	1	1B2935436-1B	
U0034	TERMINAL(SPEAKER) PC BOARD AS	BATRM-1473-1B	1	1B2935473-1B	
U0035	MPU PC BOARD AS	BADG-1474-1B	1	1B2935474-1B	
U0036	POWER SUPPLY PC BOARD AS	BAPS-1476-1B	1	1B2935476-1B	
U0040	TUNER PC BOARD AS	BARF-1450-1B	1	1B2935450-1B	
U0050	DIGITAL PC BOARD AS	BADG-1269-2B	1	1B2935269-2B	

EXPLODED VIEWS-3

EXPLODED VIEW PARTS LIST

<Note>

Parts marked by "NSP" are generally unavailable because they are not in our Master Spare Parts List.

NOTE : THE COMPONENTS IDENTIFIED BY THE MARK ! ARE CRITICAL FOR RISK OF FIRE AND ELECTRIC SHOCK. REPLACE ONLY WITH PART NUMBER SPECIFIED.

(S)MPP : 230V, CE(European) country model, Silver

REF. NO.	PART NAME	DESCRIPTION	Q'TY	PART NO. (SN)	REMARKS
[SEMI CONDUCTOR]					
Q6050	TR	2SC5198-O	1	2203063	
Q6050 or	TR	2SC5198-R	(1)	2203062	
Q6053	TR	2SC5198-O	1	2203063	
Q6053 or	TR	2SC5198-R	(1)	2203062	
Q6060	TR	2SA1941-O	1	2203053	
Q6060 or	TR	2SA1941-R	(1)	2203052	
Q6063	TR	2SA1941-O	1	2203053	
Q6063 or	TR	2SA1941-R	(1)	2203052	
[CHASSIS SCREW]					
A003	BOTTOM LEG	phi48(313)	4	27175472	
A004	CUSHION	(ZUL) phi20 x phi8	4	28141900	
A101	REAR PANEL	MPP	1	27124534B	
A102	LABEL	(SP)2ch	1	29392373	
[CABINET]					
A201	F PANEL	TX-8020(S)MPP	1	27213684	N
A202	CLEAR PLT	TX-8020(S)	1	28192419	N
A203	KNOB	(INP)B	1	28327158	
A204	BADGE		1	28135317	
A211	KNOB	(TONE)(S)(8030)	1	28326951	
A212	KNOB	(INPUT)(S)(8030)	3	28326953	
A213	KNOB	(STBY)(S)	1	28326905	
A214	KNOB	(ZONE)(S)2pcs	2	28326944	
A220	KNOB	(CUR)	1	28326907B	
A321	KNOB	(VOL)AS(S)	1	28326915	
A340	COVER	(S) (Bent)	1	28210090A	
A401	LABEL	(COVER)	1	29390767	
A421	P RIVET	JB-407A-C	8	880052	
[TRANS COIL]					
T901	P TRANS	NPT-1618P	1	2302046	!
[SW TRM]					
F6401	FUSE	10A-UL/T-233	1	252330GR	!
F6401 or	FUSE	10A-T/UL-ST2	(1)	252333GR	!
F6402	FUSE	10A-UL/T-233	1	252330GR	!
F6402 or	FUSE	10A-T/UL-ST2	(1)	252333GR	!
F901	FUSE	2A-SE-EAK FUSE	1	252074GR	!
F901 or	FUSE	2A-SE-TL250V	(1)	252274GR	!
F901E	FUSE LABEL	T2AL250V	1	29363126	!
P403	FFC	NCFC7-231212	1	2047231212	
P701	FFC	NCFC7-332012	1	2047332012	
P901	AC CORD	AS-CEE-2	1	253306VOL	!
P901 or	AC CORD	AS-CEE-2	(1)	253374YUN	!
[TUNER UNIT]					
U0010	AMP(ASP) PC BOARD AS	BAAF-1472-1B	1	1B2935472-1B	
U0011	TERMINAL(TRANS) PC BOARD AS	BAETC-1475-1B	1	1B2935475-1B	
U0012	THERMAL SENSOR PC BOARD AS	BAETC-1477-1B	1	1B2935477-1B	
U0013	FIX(SENSOR) PC BOARD AS	BAETC-1478-1B	1	1B2935478-1B	
U0014	PHONE JACK PC BOARD AS	BAETC-1440-1B	1	1B2935440-1B	
U0020	AMP(CLASS A) PC BOARD AS	BACLA-1318-2B	1	1B2935318-2B	
U0030	DISPLAY PC BOARD AS	BADIS-1435-1B	1	1B2935435-1B	
<p><NOTE>U0030 = DISPLAY BOARD AS(BADIS-1435) + INPUT/BASS BOARD AS(BAETC-1446) + TREBLE BALANCE BOARD AS(BAETC-1442) BADIS-1435, BAETC-1442 and BAETC-1446 are connected by a jumper lead.</p>					
U0031	SWITCH(STANDBY) PC BOARD AS	BADIS-1436-1B	1	1B2935436-1B	
U0034	TERMINAL(SPEAKER) PC BOARD AS	BATRM-1473-1B	1	1B2935473-1B	
U0035	MPU PC BOARD AS	BADG-1474-1B	1	1B2935474-1B	
U0036	POWER SUPPLY PC BOARD AS	BAPS-1476-1B	1	1B2935476-1B	
U0040	TUNER PC BOARD AS	BARF-1450-1B	1	1B2935450-1B	
U0050	DIGITAL PC BOARD AS	BADG-1269-2B	1	1B2935269-2B	

SCHEMATIC DIAGRAMS-01(PART-1)
ASP SECTION

MODEL NO. TX-8020 SCHEMATIC DIAGRAM (PART-1) ASP_SECTION

TX-8020 DAC_OUTPUT(MPP ONLY)

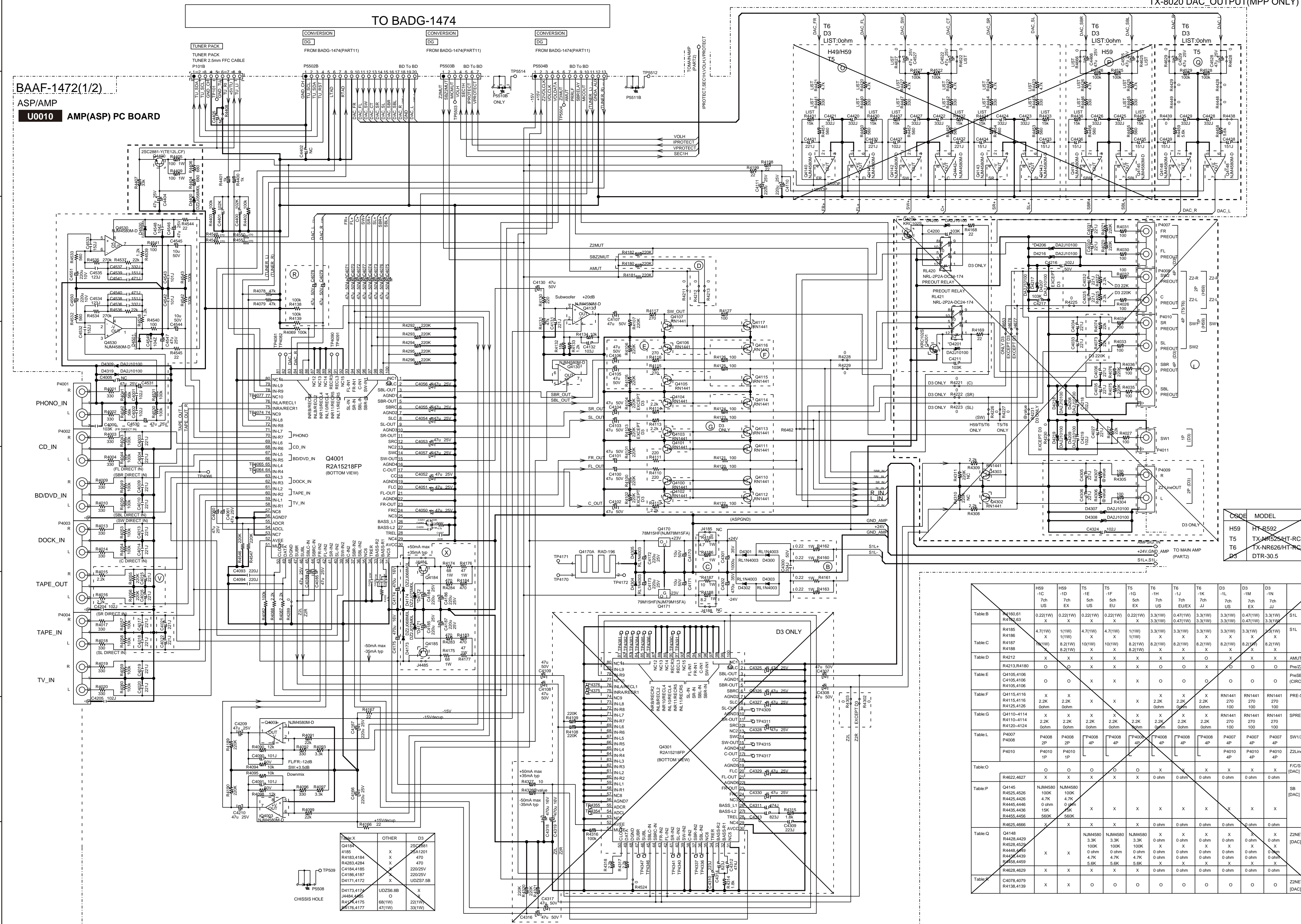


Table	Model	H59 -1C	H59 -1D	T5 -1E	T5 -1F	T5 -1G	T6 -1H	T6 -1J	T6 -1K	D3 -1L	D3 -1M	D3 -1N	D3 -1O	
Table B	R1601.61 R4182.63	0.22(1W)	0.22(1W)	0.22(1W)	0.22(1W)	0.22(1W)	3.3(1W)	0.47(1W)	3.3(1W)	3.3(1W)	0.47(1W)	3.3(1W)	S1L	
Table C	R4186 R4187 R4188	4.7(1W)	1(1W)	4.7(1W)	4.7(1W)	1(1W)	3.3(1W)	3.3(1W)	3.3(1W)	3.3(1W)	3.3(1W)	3.3(1W)	S1L	
Table D	R4212 R4213.R4180	X	X	X	X	X	X	X	X	X	X	X	AMUT	
Table E	Q4105.4108 C4105.4106 R4105.4106	O	O	X	X	X	O	O	O	O	O	O	PreSB/Z2MUT (CIRCUIT)	
Table F	Q4115.4116 R4115.4116 R4125.4126	2.2K	2.2K	X	X	X	2.2K	2.2K	2.2K	2.2K	2.2K	2.2K	RN1441 RN1441 RN1441	
Table G	Q4110.4114 R4110.4114 R4120.4124	2.2K	2.2K	2.2K	2.2K	2.2K	2.2K	2.2K	2.2K	2.2K	2.2K	2.2K	RN1441 RN1441 RN1441	
Table L	P4007 P4008	P4008 P4008	P4008 P4008	4P	4P	4P	4P	4P	4P	4P	4P	4P	SW1/2RCA	
Table O	R4222.4627	O	O	O	O	O	O	O	O	O	O	O	FICS [DAC]	
Table P	Q4145 R4425.4526 R4425.4526 R4445.4446 R4435.4436 R4455.4456	NJM4580 100K 100K 0 ohm 15K 560K	NJM4580 100K 100K 0 ohm 15K 560K	NJM4580 100K 100K 0 ohm 15K 560K	NJM4580 100K 100K 0 ohm 15K 560K	NJM4580 100K 100K 0 ohm 15K 560K	NJM4580 100K 100K 0 ohm 15K 560K	NJM4580 100K 100K 0 ohm 15K 560K	NJM4580 100K 100K 0 ohm 15K 560K	NJM4580 100K 100K 0 ohm 15K 560K	NJM4580 100K 100K 0 ohm 15K 560K	NJM4580 100K 100K 0 ohm 15K 560K	NJM4580 100K 100K 0 ohm 15K 560K	SB [DAC]
Table Q	Q4148 R4428.4429 R4425.4526 R4448.4449 R4445.4456 R4455.4456	NJM4580 3.3K 3.3K 4.7K 4.7K 5.6K	NJM4580 3.3K 3.3K 4.7K 4.7K 5.6K	NJM4580 3.3K 3.3K 4.7K 4.7K 5.6K	NJM4580 3.3K 3.3K 4.7K 4.7K 5.6K	NJM4580 3.3K 3.3K 4.7K 4.7K 5.6K	NJM4580 3.3K 3.3K 4.7K 4.7K 5.6K	NJM4580 3.3K 3.3K 4.7K 4.7K 5.6K	NJM4580 3.3K 3.3K 4.7K 4.7K 5.6K	NJM4580 3.3K 3.3K 4.7K 4.7K 5.6K	NJM4580 3.3K 3.3K 4.7K 4.7K 5.6K	NJM4580 3.3K 3.3K 4.7K 4.7K 5.6K	NJM4580 3.3K 3.3K 4.7K 4.7K 5.6K	Z2NET [DAC]
Table R	C4078.4079 R4138.4139	X	X	O	O	O	O	O	O	O	O	O	Z2NET [DAC]	

Part	Value	Other
Q4108	25A1201	
4185	X	25A1201
R4183.4184	X	470
R4263.4264	X	470
C4184.4185	X	2200/25V
C4186.4187	X	2200/25V
D4171.4172	X	UD2S7.5B
D4173.4174	X	UD2S6.8B
J4884.4185	O	
R4371.4176	68(1W)	22(1W)
R4176.4177	47(1W)	33(1W)

SCHEMATIC DIAGRAMS-02(PART-2)

AMP SECTION

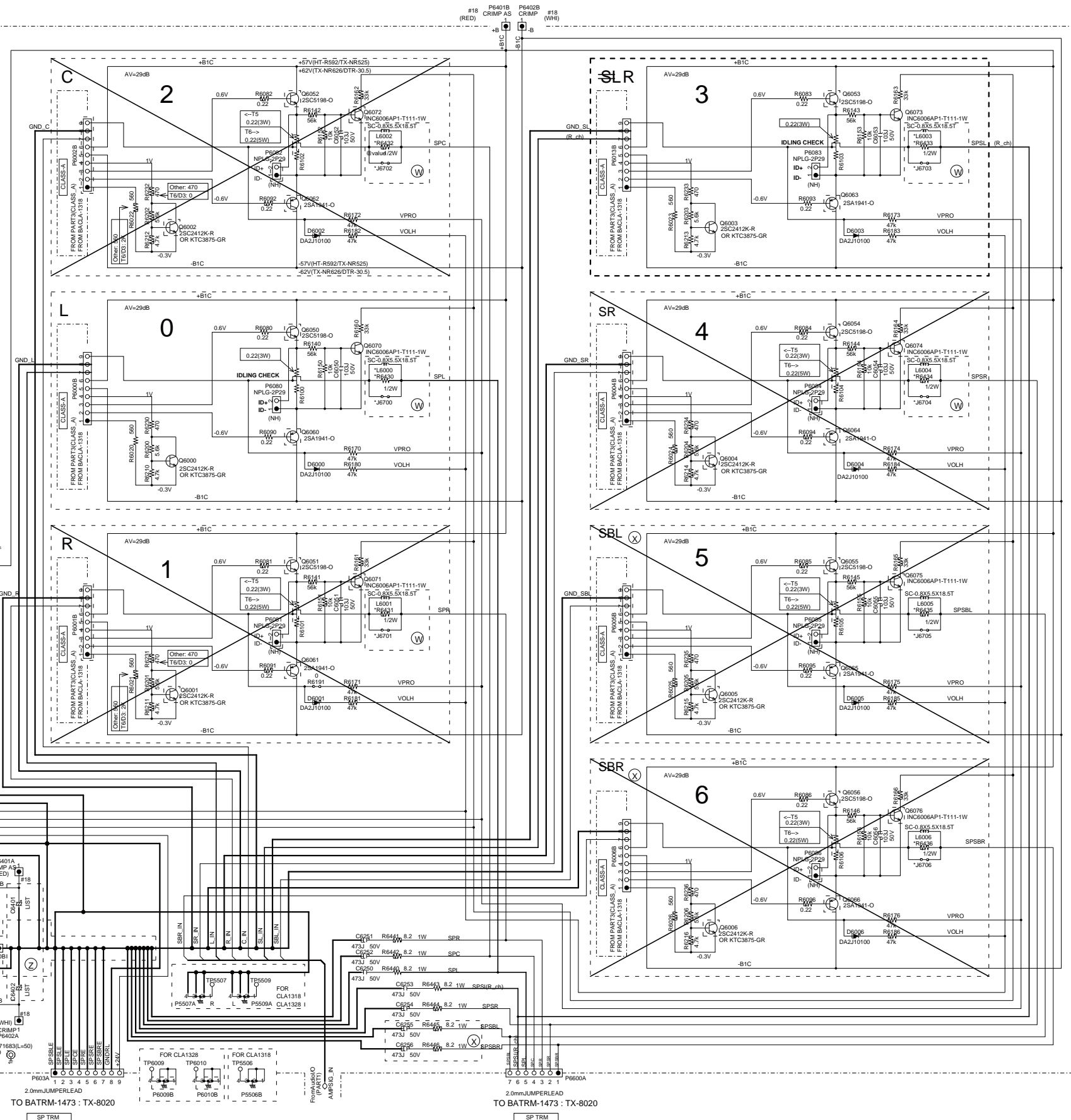
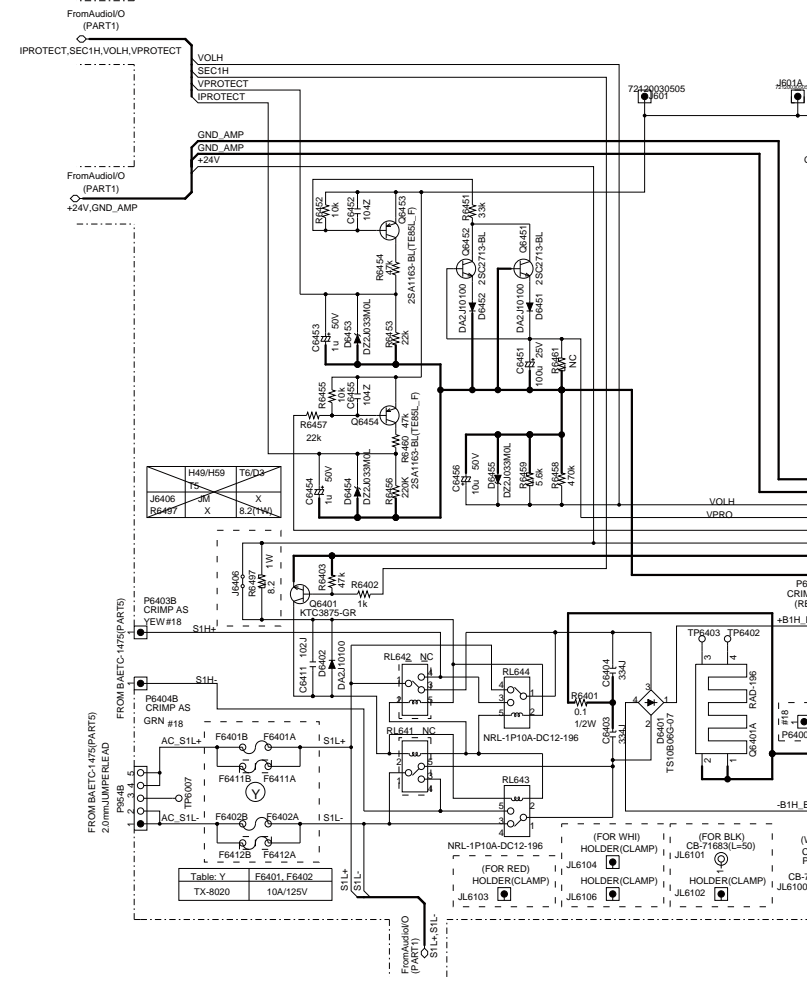
MODEL NO. TX-8020 SCHEMATIC DIAGRAM (PART-2) AMP SECTION

HT-R592/TX-NR525/HT-RC550/TX-NR626/HT-RC560/DTR-30.5

	H59 -1C 7ch US	H59 -1D 7ch EX	T5 -1E 5ch US	T5 -1F 5ch EU	T5 -1G 5ch US	T6 -1H 7ch US	T6 -1J 7ch EU/EX	T6 -1K 7ch JJ	D3 -1L 7ch US	D3 -1M 7ch EX	D3 -1N 7ch JJ	
Table W	L6000-02 R6430-32	X	O	X	O	O	O	O	O	O	O	FL/FR/C AMP
	J6700-02	O	X	O	X	X	X	X	O	X	O	SL/SR AMP
	L6003-04 R6433-34	X	O	X	O	X	O	X	X	O	X	SL/SR AMP
	J6703-04	O	X	O	X	X	X	X	O	X	O	SL/SR AMP
Table X	L6005,06 R6435,36	X	O	X	X	X	X	X	O	X	O	SBLR AMP Zone2 SPKR
	J6705,06	O	X	X	X	X	X	X	O	X	O	SBLR AMP Zone2 SPKR
Table Y	F6401,02 F6411,13	10A	10A	10A	10A	12A	12A	12A	12A	12A	12A	S1L FUSE
Table Z	C6401,02	8200 /63V	8200 /63V	8200 /63V	8200 /63V	8200 /69V	10000 /69V	10000 /69V	10000 /69V	10000 /69V	10000 /69V	Main P.A.P.

CODE	MODEL
H59	HT-R592
T5	TX-NR525/HT-RC550
T6	TX-NR626/HT-RC560
D3	DTR-30.5

BAAF-1472(2/2)
ASP/AMP **U0010** AMP(ASP) PC BOARD



TO BATRM-1473 : TX-8020
TO BATRM-1473 : TX-8020

1
2
3
4
5

A B C D E F G H

SCHEMATIC DIAGRAMS-03(PART-3)

AMP(CLASS-A) SECTION

Model No. TX-8020 SCHEMATIC DIAGRAM (PART-3)

BACLA-1318-2

U0020 AMP(CLASS A) PC BOARD

CLASS A

	HT-R592(-1A)	TX-NR525(-1B) HT-RC550
R5160-5166	220	150
R5170-5176		
R5200-5206	39K	33K
R5130-5136		

TX-8020	
R530*,R531*:150	→ 33
R516*,R517*:220	→ 120
R520*,R513*:39k	→ 22k

ADJUSTMENTS

ADJUSTMENT OF IDLING CURRENT

a. Set the voltages at P6080,6083 to 2.5mV by adjusting R6040,6043, under the condition of no input and no load, immediately after POWER ON.

b. Re-adjust by following procedure after 4~6 minutes of heat running.

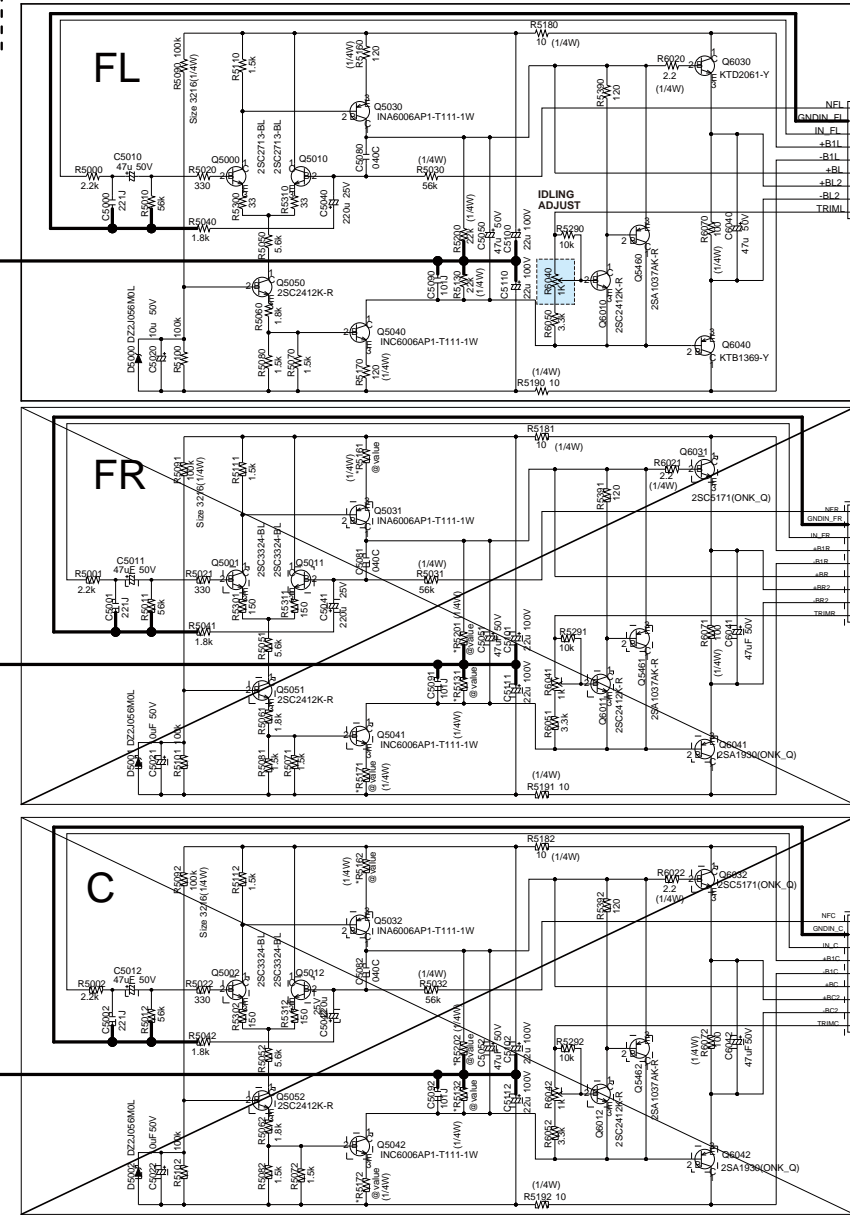
L/R	Below 9mV	9mV
	Between 9~11mV	Leave it as it is.
	Over 11mV	11mV

NOTE

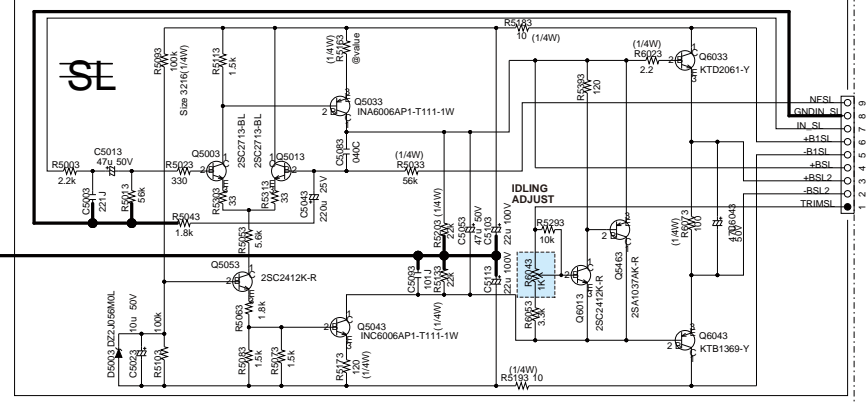
*Set R6040,6043 to minimum position before POWER ON.

*Equip series 1/4W 100-ohm resistors near the terminal respectively in the each poles of the jig used for P6080,6083 terminals.

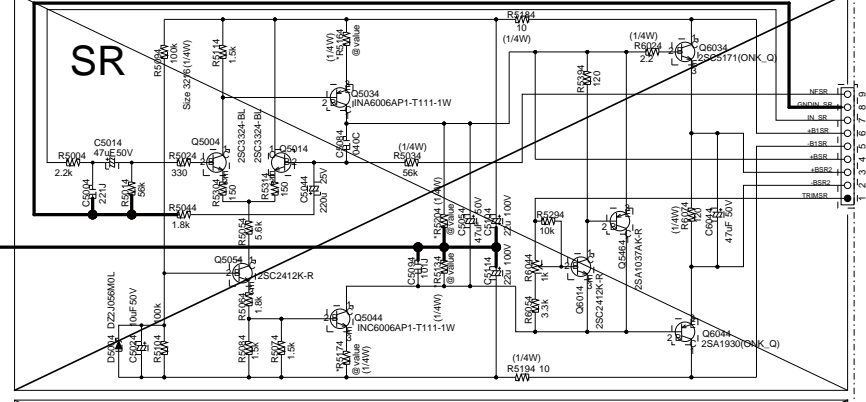
*Please adjust by using Test Mode(IDRING TIMER).



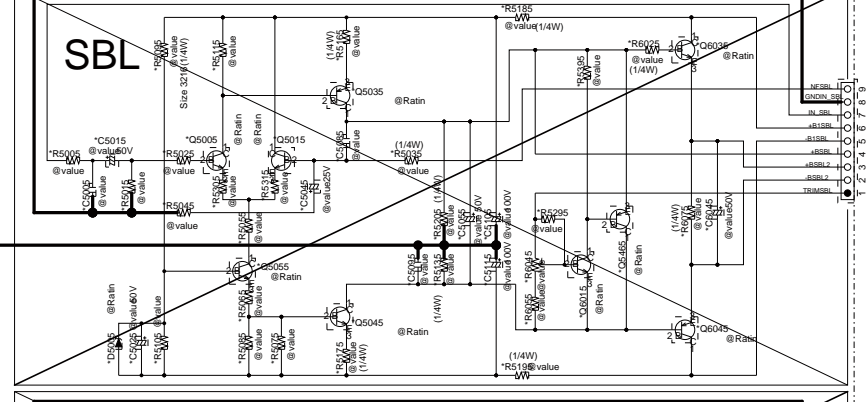
FR



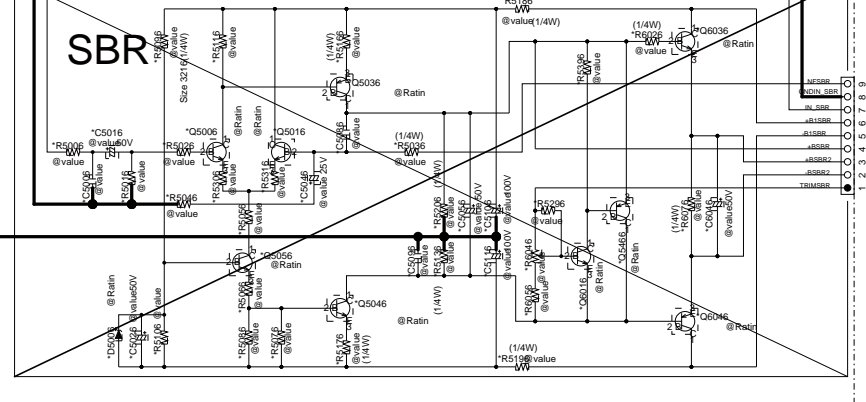
SR



SBL



SBR



NTM-1P233(M)969

NTM-1P233(M)969

1

2

3

4

5

A

B

C

D

E

SCHEMATIC DIAGRAMS-04(PART-4)

AMP(THERMAL SENSOR) SECTION

1

Model No.TX-8020

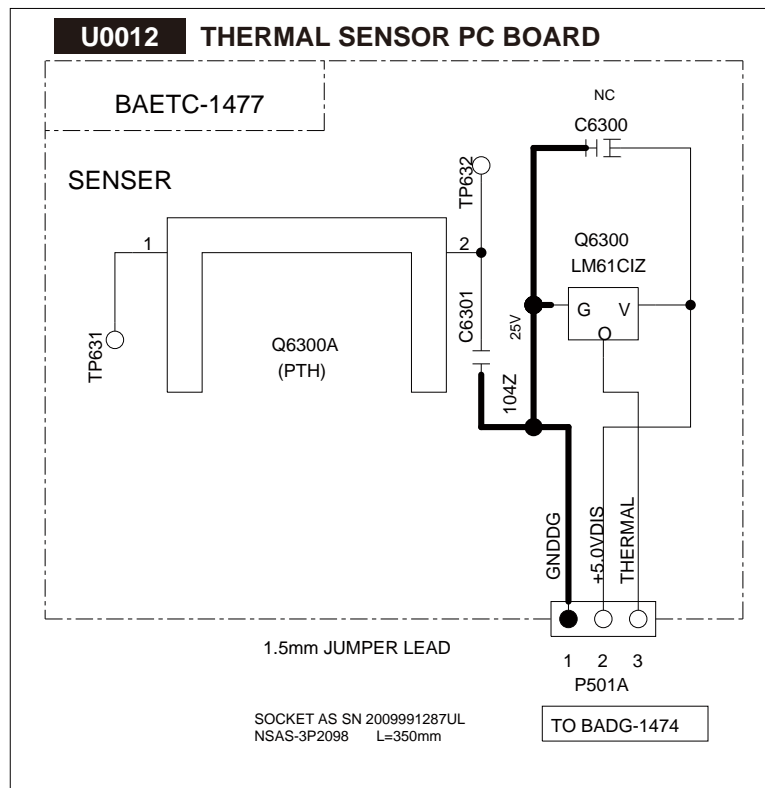
SCHEMATIC DIAGRAM (PART-4)

AMP SECTION

2

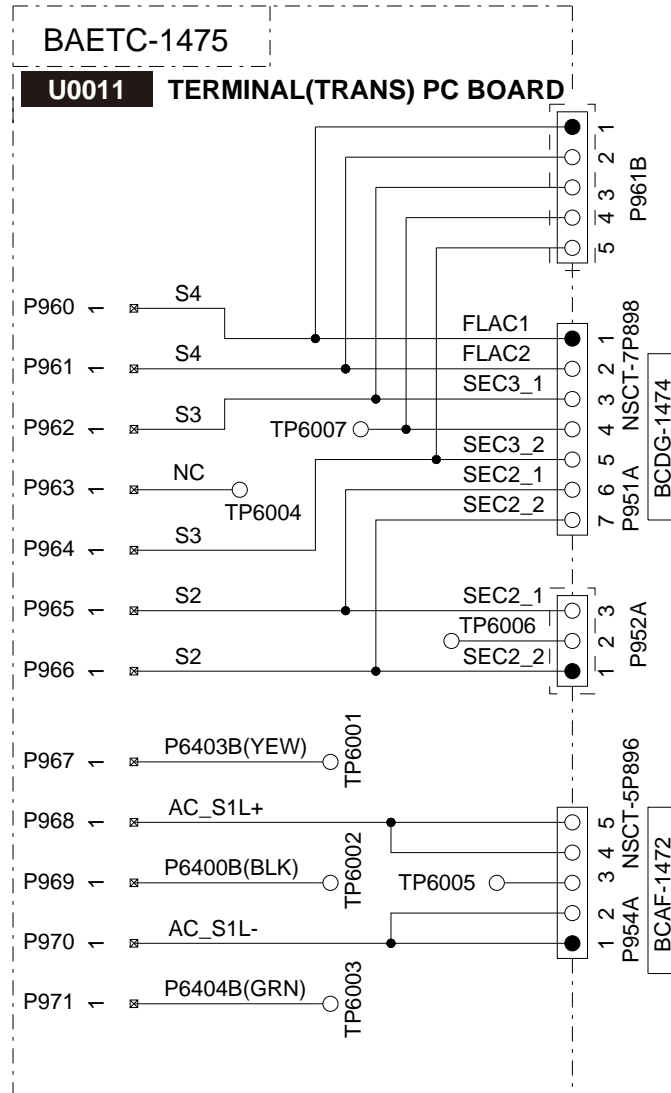
3

4



A B C D E
SCHEMATIC DIAGRAMS-05(PART-5)
TERMINAL(TRANS) SECTION

1 Model No.TX-8020 SCHEMATIC DIAGRAM (PART-5) TRANS SECTION



2.5mm Pitch

SOCKET_AS SN 2009991399UL
 L=350mm

PWB_SIDE PLUG NPLG-7P137
 SN 25055137

2.5mm Pitch

WIRE HOL
 SN 25051109

1

2

3

4

A B C D E
SCHEMATIC DIAGRAMS-06(PART-6)
PHONE JACK SECTION

MODEL NO. TX-8020

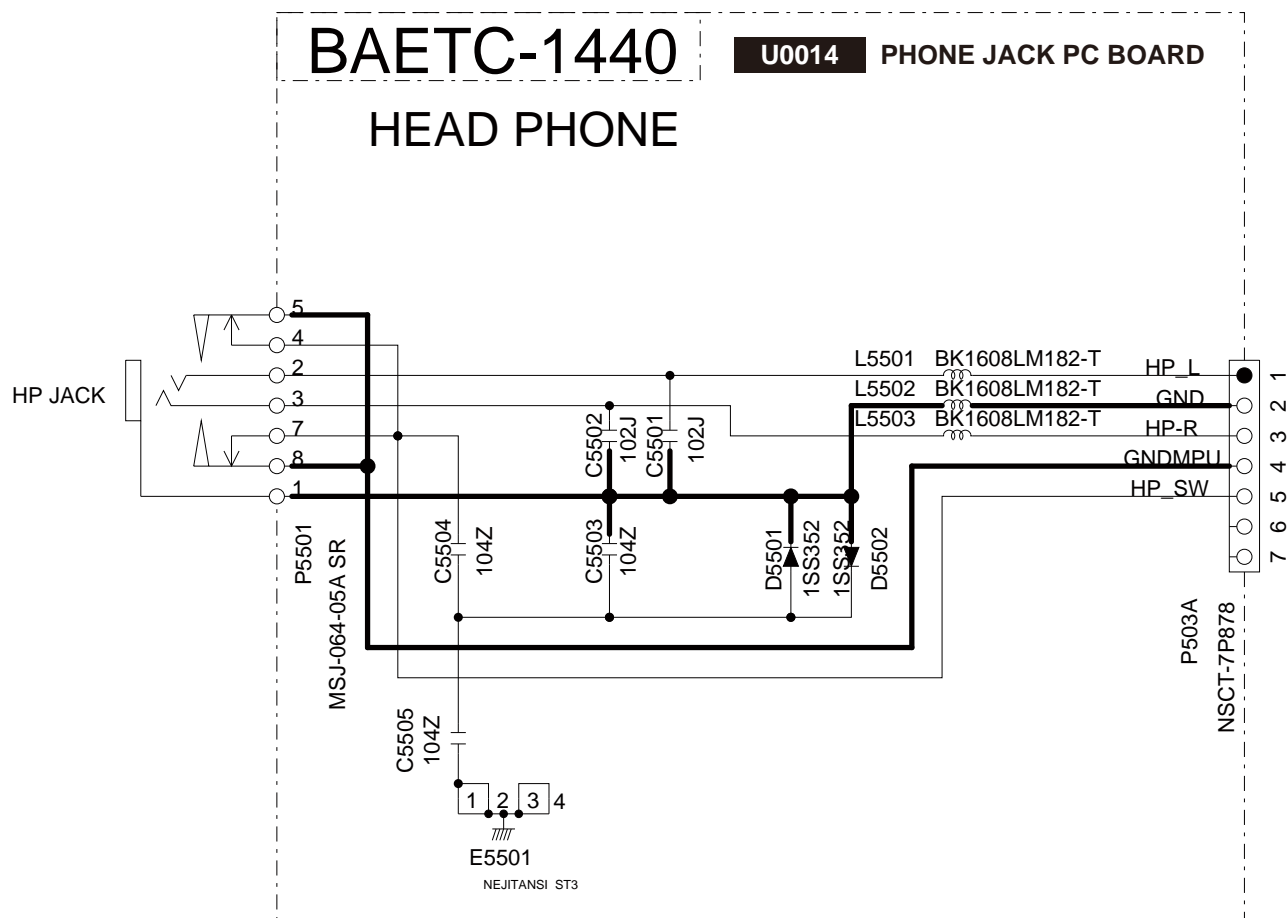
SCHEMATIC DIAGRAM (PART-6)

HEAD PHONE_SECTION

BAETC-1440

U0014 PHONE JACK PC BOARD

HEAD PHONE



2009991320UL
 NSAS-7P2131

TO BATRM-1473

1

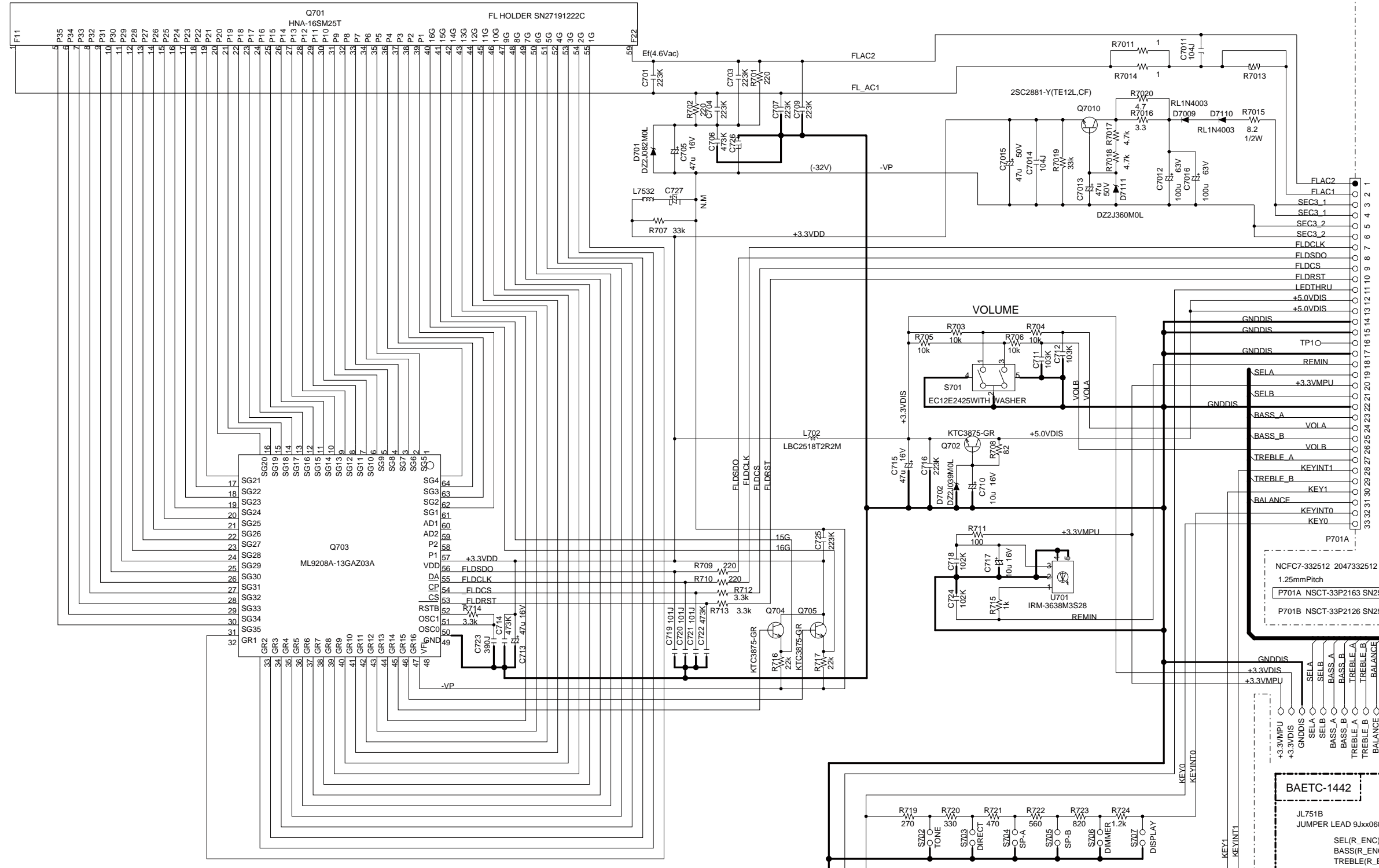
2

3

4

SCHEMATIC DIAGRAMS-07(PART-7) DISPLAY SECTION

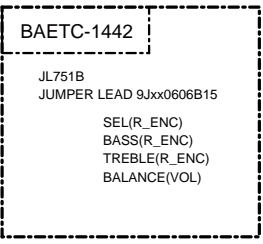
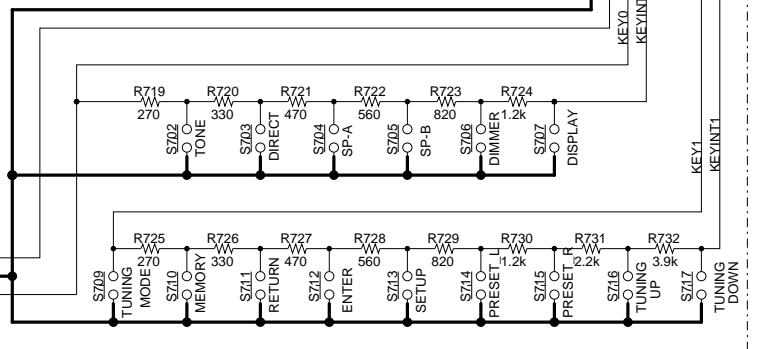
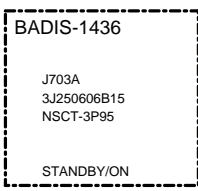
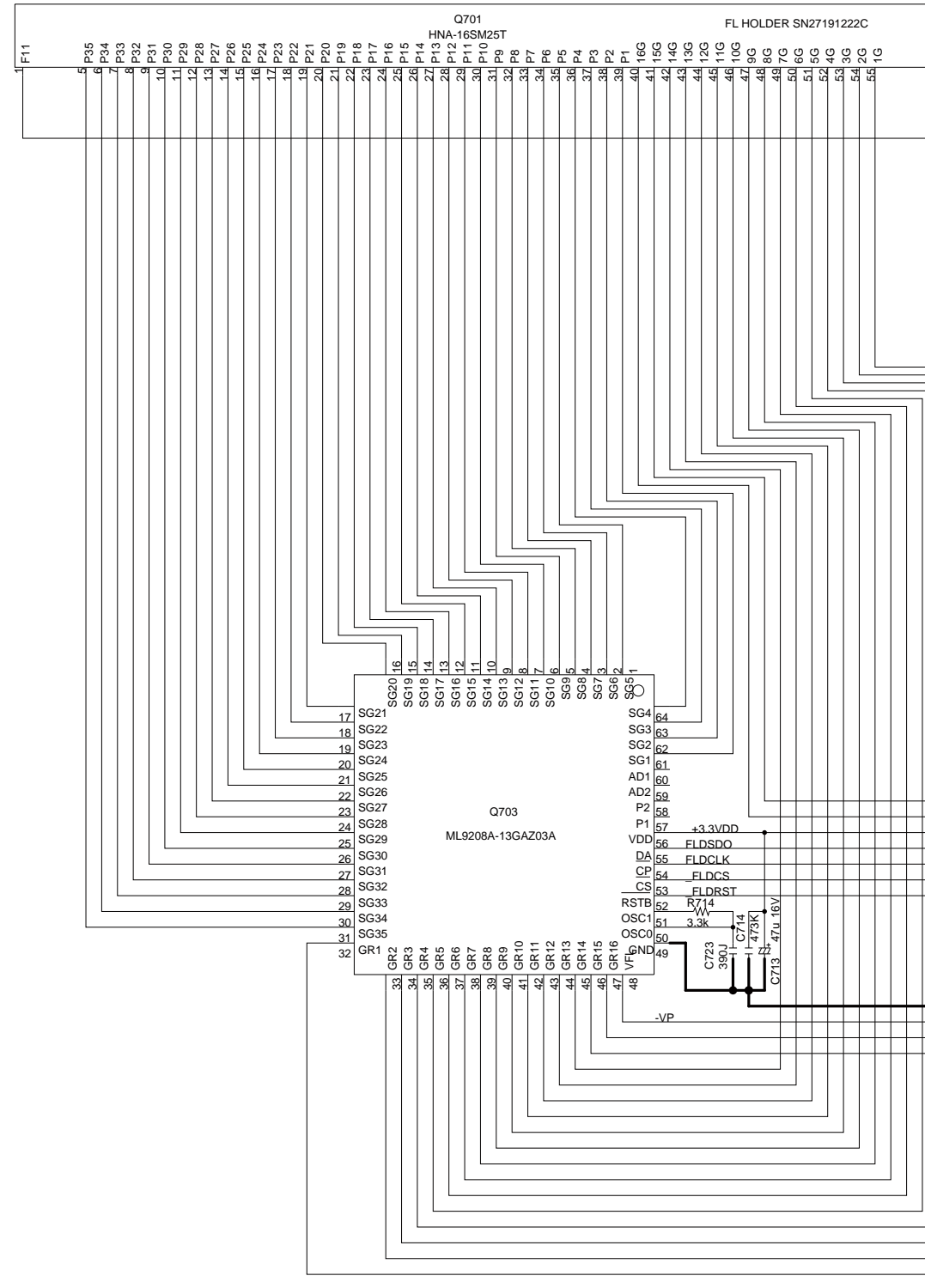
BADIS-1435 U0030 DISPLAY PC BOARD



BADIS-1436

U0030

DISPLAY PC BOARD



1
2
3
4
5

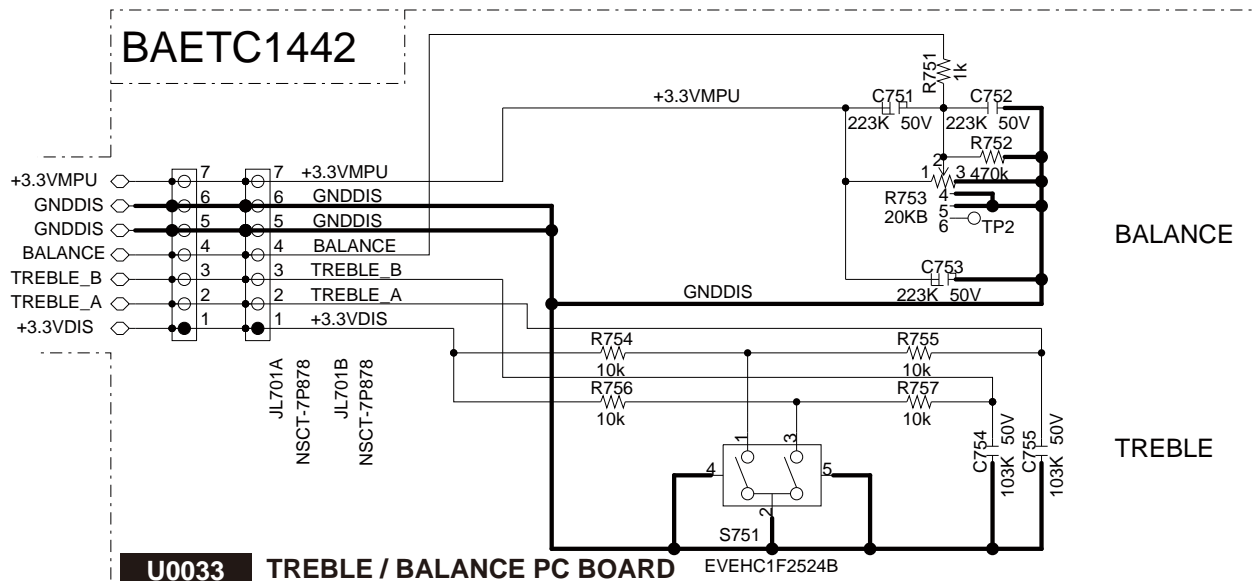
TO SW_PWB

SCHEMATIC DIAGRAMS-08(PART-8)

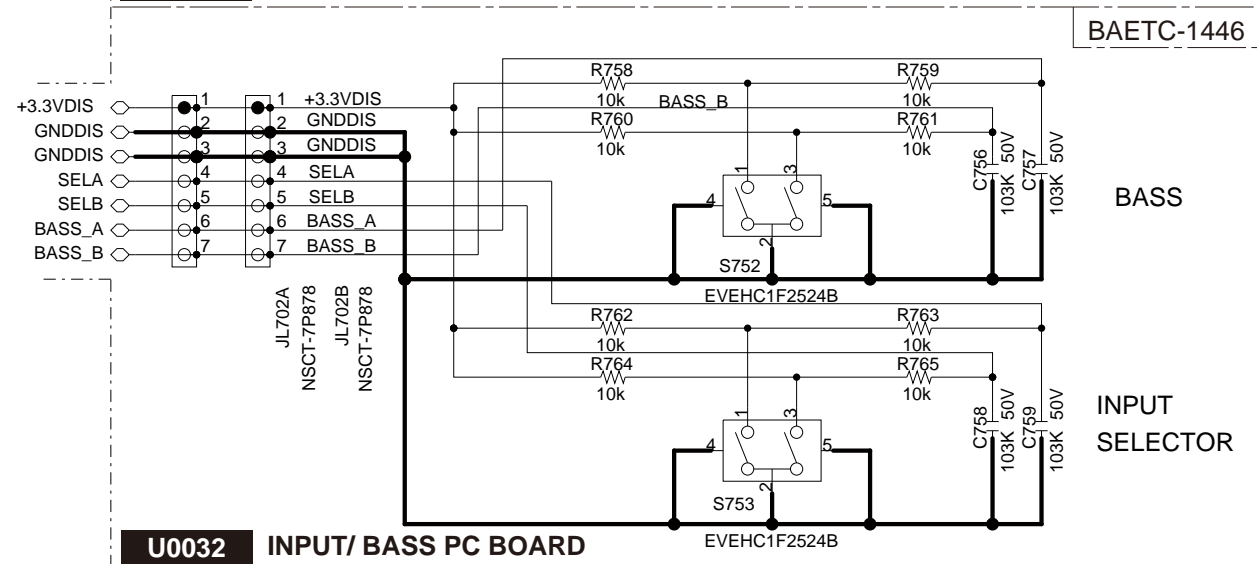
TONE/ BALANCE/ SELECTOR SECTION

MODEL NO. TX-8020 SCHEMATIC DIAGRAM (Part-8) DISPLAY SECTION

1



2



3

4

A

B

C

D

E

SCHEMATIC DIAGRAMS-09(PART-9)
SWITCH(STANDBY) SECTION

1

MODEL NO. TX-8020

SCHEMATIC DIAGRAM

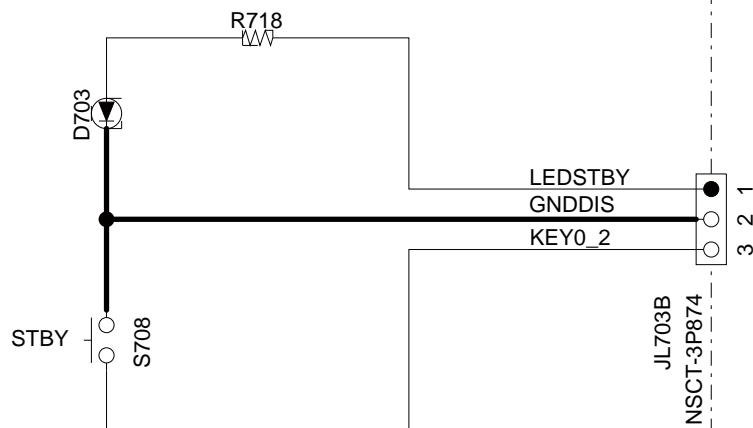
(PART-9)

DISPLAY SECTION

2

BADIS-1436

U0031 SWITCH(STANDBY) PC BOARD



3

4

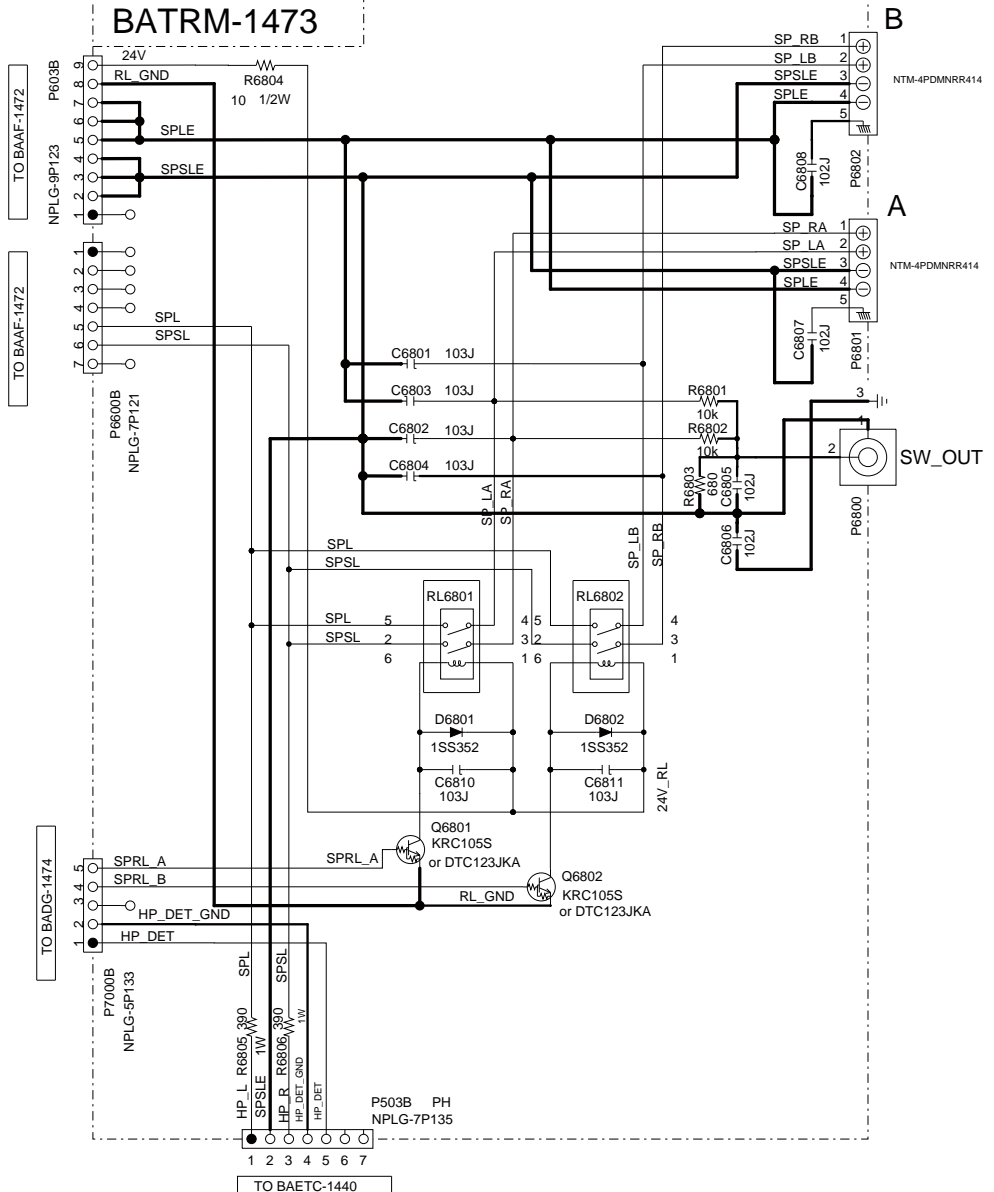
SCHEMATIC DIAGRAMS-10(PART-10)

TERMINAL(SPEAKER) SECTION

MODEL NO. TX-8020 SCHEMATIC DIAGRAM (PART-10) SPEAKER TERMINAL_SECTION

U0034 TERMINAL(SPEAKER) PC BOARD

BATRM-1473




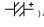
1
2
3
4


SCHEMATIC DIAGRAMS-12(PART-12)

POWER SUPPLY SECTION

MODEL NO.TX-8020 SCHEMATIC DIAGRAM(PART-12) PS SECTION

1


THE COMPONENTS IDENTIFIED MARK  ARE CRITICAL FOR SAFETY. REPLACE ONLY WITH PART NUMBER SPECIFIED.
 VOLTAGE (MEASURED WITH VOLTMETER) IS DC VOLTAGE. (NO INPUT SIGNAL)
 ELECTRIC CAPACITORS () ARE IN uF/WV.
 ALL CAPACITORS ARE IN uF/50WV UNLESS OTHERWISE NOTED.
 EX) 030 -> 3pF, 330 -> 33pF, 331 -> 330pF, 333 -> 0.033uF
 CIRCUIT IS SUBJECT TO CHANGE FOR IMPROVEMENT.


 印は火災、感電の危険に関する部品の為、必ず指定部品を使用の事。
 電圧表示は無負荷時に測定した最大電圧を示す。
 記入なき電解コンデンサの単位はuF/WVである。
 記入なきコンデンサの単位はpF/50WVである。
 (F) 030 -> 3pF, 330 -> 33pF, 331 -> 330pF, 333 -> 0.033uF
 本記号は基本記号につき性能改善等により予告なく変更する事がある。

2

CAUTION
 FOR CONTINUED PROTECTION AGAINST FIRE HAZARD,
 REPLACE ONLY WITH FUSE OF SAME TYPE AND RATING INDICATED.

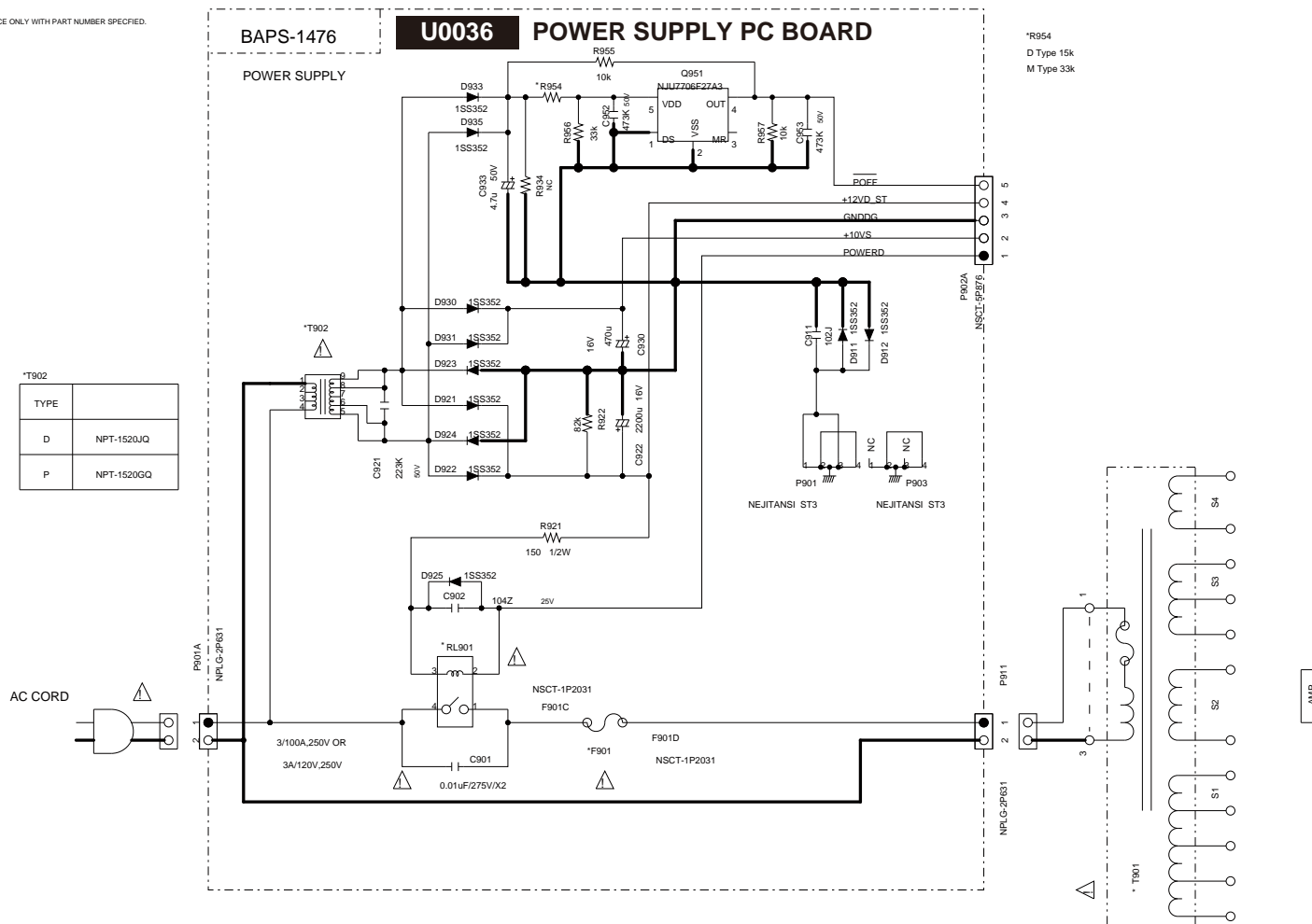
ATTENTION
 AFIN D'ASSURER UNE PROTECTION PERMANENTE CONTRE LES RISQUES D'INCENDIE,
 REMPLACER UNIQUEMENT PAR UN FUSIBLE DE MEME TYPE ET CALIBRATION COMME INDIQUE.

 THIS SYMBOL LOCATED NEAR THE FUSE INDICATES THAT THE FUSE USED IS SLOW OPERATING TYPE
 FOR CONTINUED PROTECTION AGAINST FIRE HAZARD, REPLACE WITH SAME TYPE FUSE.
 RATING REFER TO THE MAKING ADJACENT TO THE SYMBOL.

 CE SYMBOLE INDIQUE QUE LE FUSIBLE UTILISE EST A LENT, E POUR UNE PROTECTION PERMANENT.
 NUTILISER QUE DES FUSIBLES DE MEME TYPE.
 CE DARNIER EST INDIQUE LA QU LE PRESENT SYMBOLE EST APOSE.

*T902	
TYPE	
D	NPT-1520JQ
P	NPT-1520GQ

3



*R954
 D Type 15k
 M Type 33k

4

AC	
TYPE	
D	120V ~ /60Hz
P	230V ~ /50Hz

*RL901	
TYPE	
D	NRL-1P5A-DC9-179
P	NRL-1P5A-DC9-179

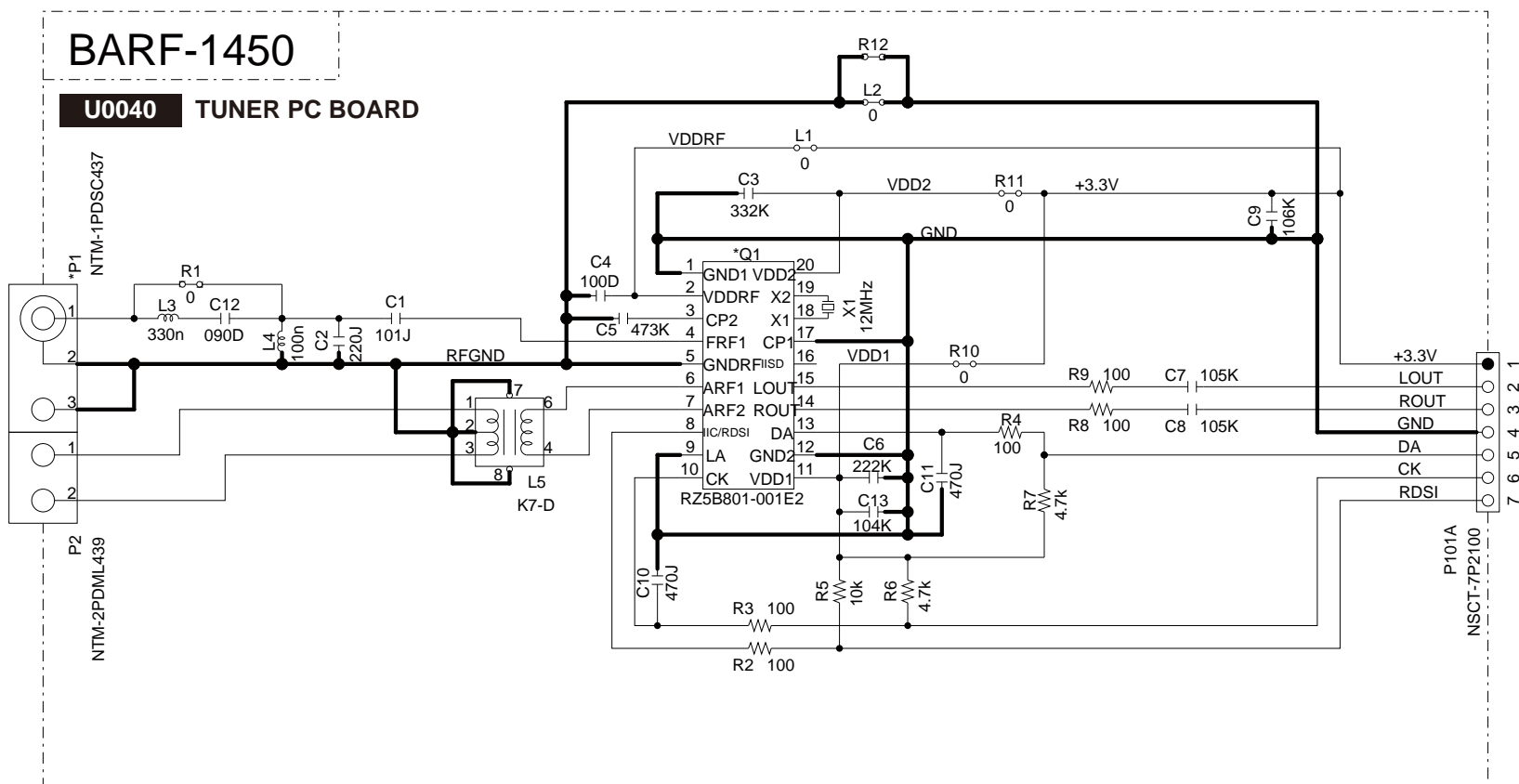
*F901	
TYPE	
D	4A125V
P	T2AL250V

*T901	
TYPE	
D	NPT-1618D
P	NPT-1618P

SCHEMATIC DIAGRAMS-13(PART-13)

TUNER SECTION

MODEL NO. TX-8020 SCHEMATIC DIAGRAM (PART-13) TUNER SECTION



1

2

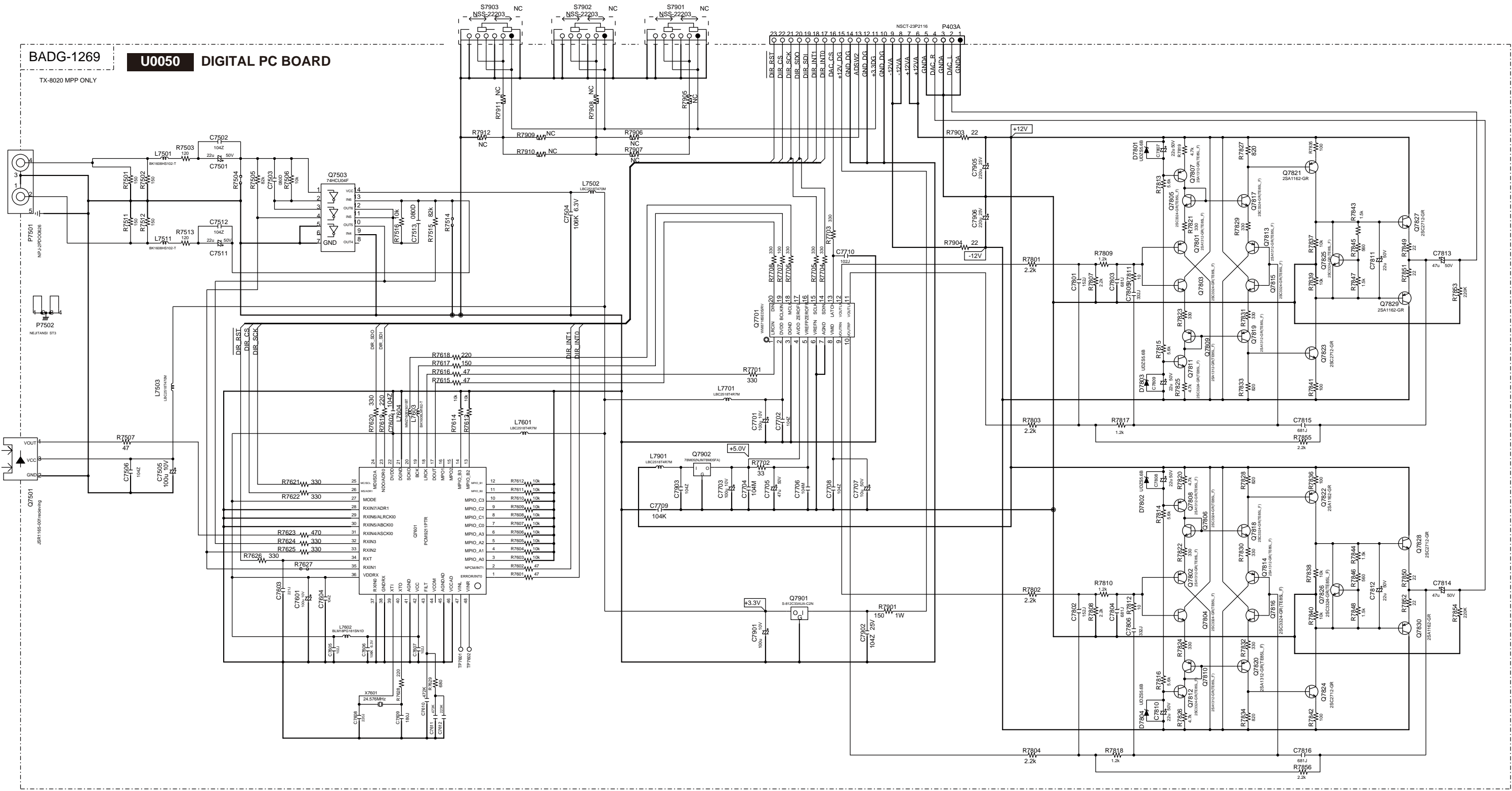
3

4

SCHEMATIC DIAGRAMS-14(PART-14) DIGITAL SECTION

Model No. TX-8020 (MPP) SCHEMATIC DIAGRAM (PART-14) Digital Section

1
2
3
4
5



PACKING PROCEDURES PARTS LIST

(B)MDC : Canadian/USA/(Mexico) model, Black

REF. NO.	PART NAME	DESCRIPTION	Q'TY	PART NO. (SN)	REMARKS
[PACKING]					
A601	PAD	(AS)	1	29092666A	N
A601A	PAD	(L)	{ 1}	29092667A	N
A601B	PAD	(R)	{ 1}	29092668A	N
A605	SHEET	1300 x 650	1	29096147	
A606	TAPE	(SEROHAN)NITTO NO.29	1	29110149	
A701	CARTON	TX-8020	1	29055441	N
A702A	UPC LABEL	TX-8020(B)MDC	{ 1}	29392341	N
A711	PP TAPE	W50 SBT-70	1	29110200	
[ACCESSARY]					
A651	POLY BAG	w250xd350	1	29100250A	
A652	TAPE	(SEROHAN)NITTO NO.29	1	29110149	
A661	POLY BAG	w250xd350	1	29100250A	
A662	TAPE	(SEROHAN)NITTO NO.29	1	29110149	
A801	WRNTY CARD	(ONKYO)	1	29365156	
A802	SHEET	(FLYER-US)	1	29380162	N
A821	REMO CON	RC-875S	1	24140875	N
A822	ANT COIL	AM LOOP-ANTENNA	1	232207	
A823	FM ANT AS	Type W	1	292191	
A824	BATTERY	R03/AAA(UM-4)	2	3010124	
A901	INS MANUAL	En(TX8020)	1	29401517	N
A902	INS MANUAL	U2(FrEs)(TX8020)	1	29401518	N
A930	TAPE	(SEROHAN)NITTO NO.29	1	29110149	

(B)MMP : 230V, CE(European) country model, Black

REF. NO.	PART NAME	DESCRIPTION	Q'TY	PART NO. (SN)	REMARKS
[PACKING]					
A601	PAD	(AS)	1	29092666A	N
A601A	PAD	(L)	{ 1}	29092667A	N
A601B	PAD	(R)	{ 1}	29092668A	N
A605	SHEET	1300 x 650	1	29096147	
A606	TAPE	(SEROHAN)NITTO NO.29	1	29110149	
A701	CARTON	TX-8020	1	29055441	N
A702A	EAN LABEL	TX-8020(B)MPP	{ 1}	29392342B	N
A711	PP TAPE	W50 SBT-70	1	29110200	
[ACCESSARY]					
A651	POLY BAG	w250xd350	1	29100250A	
A652	TAPE	(SEROHAN)NITTO NO.29	1	29110149	
A661	POLY BAG	w250xd350	1	29100250A	
A662	TAPE	(SEROHAN)NITTO NO.29	1	29110149	
A801	INST SHEET	WEEE delete onkyo	1	29355793B	
A802	SHEET	(FLYER-EU)	1	29380163	N
A821	REMO CON	RC-875S	1	24140875	N
A822	ANT COIL	AM LOOP-ANTENNA	1	232207	
A823	FM ANT AS	Type W	1	292191	
A824	BATTERY	R03/AAA(UM-4)	2	3010124	
A901	INS MANUAL	En(TX8020)	1	29401517	N
A902	INS MANUAL	U2(FrEs)(TX8020)	1	29401518	N
A903	INS MANUAL	U4(ItDeNISv)(TX8020)	1	29401519	N
A930	TAPE	(SEROHAN)NITTO NO.29	1	29110149	

(S)MMP : 230V, CE(European) country model, Silver

REF. NO.	PART NAME	DESCRIPTION	Q'TY	PART NO. (SN)	REMARKS
[PACKING]					
A601	PAD	(AS)	1	29092666A	
A601A	PAD	(L)	{ 1}	29092667A	
A601B	PAD	(R)	{ 1}	29092668A	
A605	SHEET	1300 x 650	1	29096147	
A606	TAPE	(SEROHAN)NITTO NO.29	1	29110149	
A701	CARTON	TX-8020	1	29055441	
A702A	EAN LABEL	TX-8020(S)MPP	{ 1}	29392343B	N
A711	PP TAPE	W50 SBT-70	1	29110200	
[ACCESSARY]					
A651	POLY BAG	w250xd350	1	29100250A	
A652	TAPE	(SEROHAN)NITTO NO.29	1	29110149	
A661	POLY BAG	w250xd350	1	29100250A	
A662	TAPE	(SEROHAN)NITTO NO.29	1	29110149	
A801	INST SHEET	WEEE delete onkyo	1	29355793B	
A802	SHEET	(FLYER-EU)	1	29380163	
A821	REMO CON	RC-875S	1	24140875	
A822	ANT COIL	AM LOOP-ANTENNA	1	232207	
A823	FM ANT AS	Type W	1	292191	
A824	BATTERY	R03/AAA(UM-4)	2	3010124	
A901	INS MANUAL	En(TX8020)	1	29401517	
A902	INS MANUAL	U2(FrEs)(TX8020)	1	29401518	
A903	INS MANUAL	U4(ItDeNISv)(TX8020)	1	29401519	
A930	TAPE	(SEROHAN)NITTO NO.29	1	29110149	